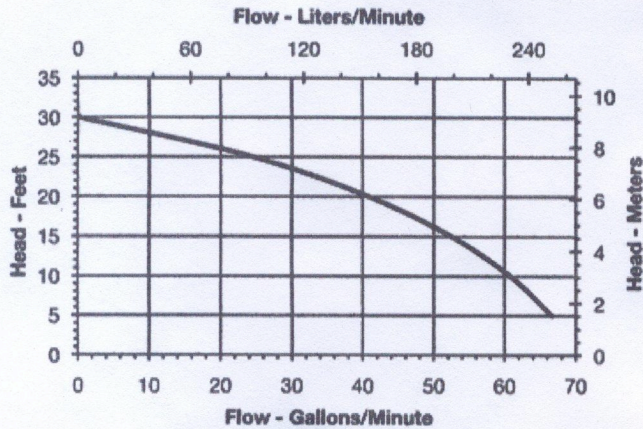


Wastewater

Sump/Effluent

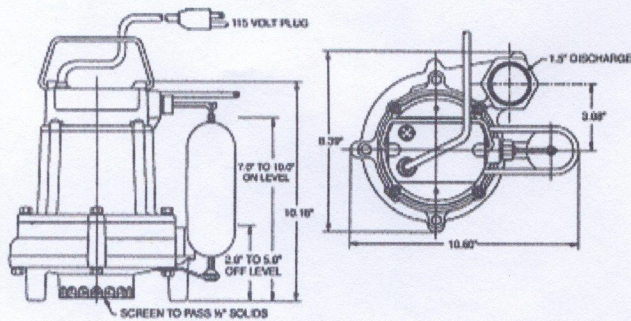
SEN-50 Series

1/2 hp Automatic Submersible Sump/Effluent Pump, 1/2" Solids



Construction

Cover	Polycarbonate
Motor Housing	Epoxy coated cast iron
Impeller Material	Nylon
Volute	Epoxy-coated cast iron/ polypropylene
Power Cord	SJTW
Mechanical Shaft Seal	Nitrile parts, carbon and ceramic faces
Fasteners	Stainless steel
Shaft	Cold rolled steel
Bearings	Upper and lower sintered sleeve bearings



SEN-50-AS

Specifications

MODEL NO.	ITEM NO.	HP	VOLTS	DISCHARGE SIZE	RUNNING AMPS/WATTS	PERFORMANCE (GPM)				SHUT-OFF		CORD LENGTH (FT)	WEIGHT (LBS)	RPM
						5'	10'	15'	20'	(FT)	PSI			
SEN-50-AS	511352	1/2	115	1.5" FNPT	8/850	67	61	50	40	30	13	10	28	1750

AS - Snap Action Float