

APPLICATIONS

- Effluent wastewater removal • Dewatering • Water transfer

FEATURES

- Permanent Split Capacitor (PSC)
- Designed for continuous duty
- Energy-saving low amp draw
- Cooler running motor
- 1-1/2" FNPT (38 mm) discharge
- Handles solids up to 1/2" (12.7 mm) diameter
- Multiple switch options for automatic operation
- 140 °F (60 °C) liquid temperature rating
- cCSAus listed

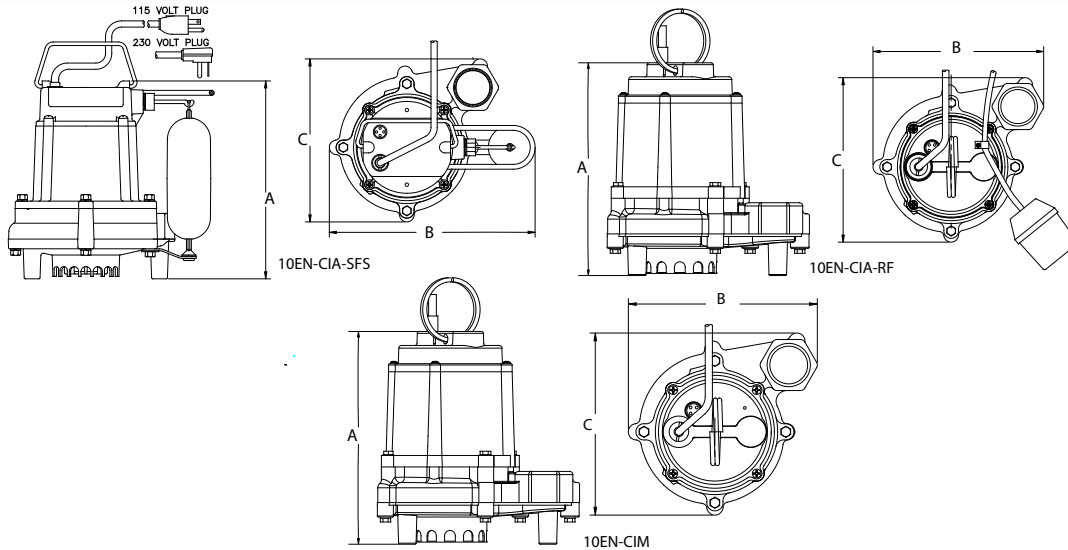


SERIES SPECIFICATIONS

Volts	Hz	Amps		Watts	Performance (GPM @ Height in Feet)				Shut-Off (ft)	PSI
		FLA	Start		5'	10'	15'	20'		
115	60	8	12	850	67	61	50	40	30	13
230	60	4	6.7	850	67	61	50	40	30	13

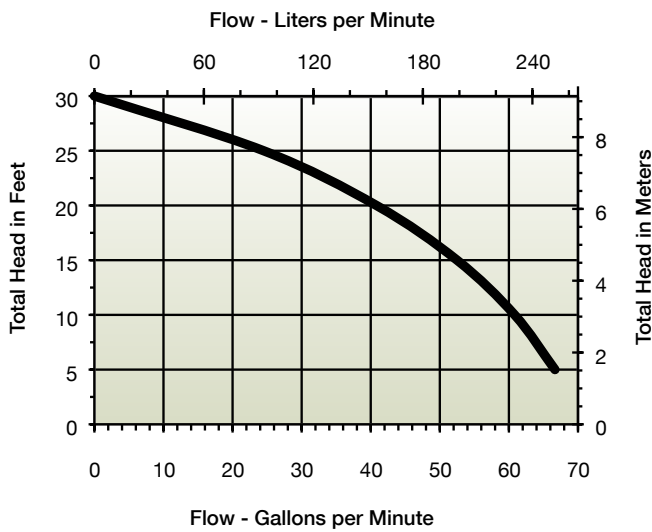
Item No.	Model	HP	Volts	Switch Type/ Operation	On Level	Off Level	Cord	Weight
511330	10EN-CIA-SFS	1/2	115	Integral Snap-Action Float	7" - 10" 17.8 cm - 25.4 cm	2" - 5" 5 cm - 12.7 cm	10' 3 m	29 lbs 13.5 Kg
511331	10EN-CIA-SFS	1/2	115	Integral Snap-Action Float	7" - 10" 17.8 cm - 25.4 cm	2" - 5" 5 cm - 12.7 cm	20' 6.1 m	29 lbs 13.5 Kg
511225	10EN-CIA-SFS	1/2	230	Integral Snap-Action Float	7" - 10" 17.8 cm - 25.4 cm	2" - 5" 5 cm - 12.7 cm	10' 3 m	29 lbs 13.5 Kg
511336	10EN-CIA-SFS	1/2	230	Integral Snap-Action Float	7" - 10" 17.8 cm - 25.4 cm	2" - 5" 5 cm - 12.7 cm	20' 6.1 m	29 lbs 13.5 Kg
511320	10EN-CIA-RF	1/2	115	Piggyback Mechanical Float	12" - 14" 30.48 cm - 35.56 cm	5" - 7" 12.7 cm - 17.78 cm	10' 3 m	29 lbs 13.5 Kg
511321	10EN-CIA-RF	1/2	115	Piggyback Mechanical Float	12" - 14" 30.48 cm - 35.56 cm	5" - 7" 12.7 cm - 17.78 cm	20' 6.1 m	29 lbs 13.5 Kg
511310	10EN-CIM	1/2	115	Manual	-	-	10' 3 m	28 lbs 12.7 Kg
511311	10EN-CIM	1/2	115	Manual	-	-	10' 3 m	28 lbs 12.7 Kg
511315	10EN-CIM	1/2	230	Manual	-	-	10' 3 m	28 lbs 12.7 Kg
511316	10EN-CIM	1/2	230	Manual	-	-	20' 6.1 m	28 lbs 12.7 Kg
511342	10EN-CBA-SFS	1/2	115	Integral Snap-Action Float	7" - 10" 17.8 cm - 25.4 cm	2" - 5" 5 cm - 12.7 cm	10' 3 m	28 lbs 12.7 Kg
511343	10EN-CBA-SFS	1/2	115	Integral Snap-Action Float	7" - 10" 17.8 cm - 25.4 cm	2" - 5" 5 cm - 12.7 cm	10' 3 m	28 lbs 12.7 Kg
511341	10EN-CBM	1/2	115	Manual	-	-	10' 3 m	27 lbs 12.25 Kg

ENGINEERING DATA



Model	A	B	C
10EN-CIA-SFS	10.18" 25.86 cm	10.6" 26.92 cm	8.39" 21.31 cm
10EN-CIA-RF	9.87" 25.07 cm	8.72" 22.15 cm	8.38" 21.29 cm
10EN-CIM	9.87" 25.07 cm	8.72" 22.15 cm	8.38" 21.29 cm

PERFORMANCE DATA



CONSTRUCTION

Cover	Polycarbonate 10EN-CIA-SFS Models
Cover	Cast iron - 10EN-CIM and 10EN-CIA-RF models
Motor Housing	Epoxy-coated cast iron
Impeller Material	Nylon
Volute	Epoxy-coated cast iron/ polypropylene
Mechanical Shaft Seal	Nitrile with carbon and ceramic faces
Fasteners	Stainless steel
Shaft	Cold rolled steel
Bearings	Upper and lower sintered sleeve bearings
Power Cord	SJTW **SJTOW

* On SFS models

** On 30' 10EN-CIA-RF and 10EN-CIM models